



# GOLD CUP LEVELWIND REEL

## GCP-10, GCP-20, GCP-30

Congratulations on your purchase of a Bass Pro Shops® and Cabela's® reel! This reel is manufactured with the highest-quality components and has been extensively tested to ensure that your day on the water is more productive. Please take a moment to familiarize yourself with the integrated performance-enhancing features of this reel before use. This will help you to optimize the reel's settings and even further increase your fishing success. We wish you the best of luck in your future angling adventures!

### Reel Specifications

Model	Bearings	Weight (oz.)	Max Drag (lbs.)	Line Capacity mono/braid (lb./yds.)	IPT	Gear Ratio
GCP-10	4	15.8	11	14/295, 17/250, 20/180 20/610, 30/455, 50/245	29.9"	5.1:1
GCP-20	4	17.9	17.6	20/330, 25/250, 30/240 30/570, 40/490, 50/470	33.5"	5.3:1
GCP-30	4	21	17.6	20/590, 25/490, 30/460 40/940, 50/900, 65/590	36.2"	4.5:1

- 1-pc. Graphite Frame
- Double-Anodized Machine-Cut Spool
- 4 Double-Sealed Stainless Steel Ball Bearings
- Forged-Aluminum Handle
- Stainless Steel Levelwind

### Features and Operations Instructions

#### Rugged Graphite Frame

The Gold Cup reel is made with an extremely durable and lightweight composite material. This material will not corrode.

#### 4 Sealed Stainless Steel Ball Bearings

We used double-sealed stainless steel ball bearings in key locations throughout the Gold Cup reel. These bearings are designed to withstand corrosion and keep debris out so your reel functions smoothly.

#### Audible Bait Clicker

The bait clicker is located on the palming sidecover. It can be turned on by sliding the button downward.

#### Powerful Star Drag System

The Gold Cup reel is equipped with a star drag system. It is located under the handle on the right side of the reel. Drag power is increased as the star is rotated forward.

#### Stainless Steel Line Guide

A non-disengaging stainless steel line guide has been included on the Gold Cup reel to help manage the line lay on the spool. The line guide moves from side to side as the handle is turned.

### Care and Lubrication

Your new reel is designed to provide years of dependable service. But like any other precision machine, periodic cleaning and maintenance is required for continued peak performance.

Reels made today require both a lightweight oil and grease. Oil and grease should be used sparingly; too much can have a negative impact on reel performance. There are lightweight oils and grease made specifically for fishing reels that can be found at [basspro.com](http://basspro.com) and [cabelas.com](http://cabelas.com)

As a rule of thumb, oils should be used to lubricate any moving part on the reel, e.g. ball bearings, bushings, handle joints, bail springs, etc. Grease should be used to lubricate the main drive gear and pinion gear.

We do not recommend using any multipurpose oils. Many of these oils have properties that will attract dirt and dust to the internal parts. This may cause excessive wear and reduce the life of the reel.

After each trip, the reel should be checked for dirt or sand. If it has been exposed to saltwater, the spool should be removed and the entire reel rinsed in freshwater. Dry with a soft cloth and lubricate the reel as described above.

### Bass Pro Shops® and Cabela's® Fishing Reels and Combos

#### Limited Warranty

Bass Pro Shops and Cabela's will repair or replace (at our discretion) any Bass Pro Shops and Cabela's reel which proves to be defective in workmanship or materials within one year from the original date of purchase. You must save your dated sales receipt for warranty validation. This warranty gives you specific legal rights, and you may have other rights which vary from state to state or province to province.

#### For reels and combos purchased through our catalogs or Bass Pro Shops and Cabela's online:

- **For reel or combo replacement only:** Return your reel postage prepaid with your dated sales receipt to the Return Center address listed on your receipt.
- **For reel or combo repair only:** Return your reel postage prepaid with a copy of your dated sales receipt as proof of purchase and warranty validation to the Outdoor World Rod & Reel Repair® address below.

#### For reels and combos purchased through Bass Pro Shops and Cabela's retail locations:

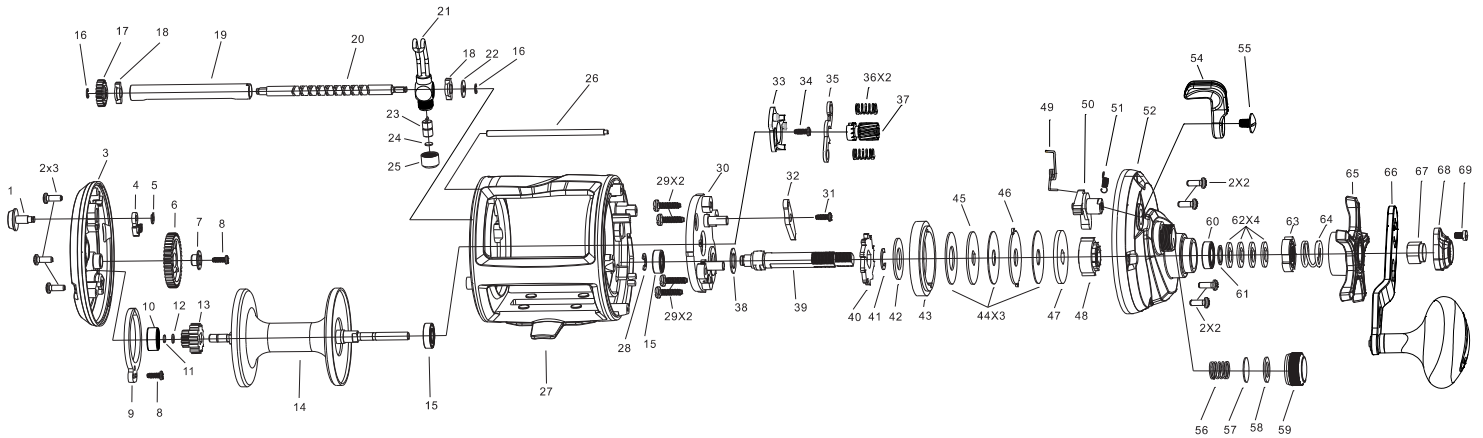
- **For reel or combo replacement only:** Return your reel (postage prepaid if sending by mail) along with your dated sales receipt to the store from which it was purchased.
- **For reel or combo repair only:** Return your reel postage prepaid with a copy of your dated sales receipt as proof of purchase and warranty validation to the Outdoor World Rod & Reel Repair address below.

#### Outdoor World Rod & Reel Repair, 2300 E. Turner, Suite M, Springfield, MO 65803

This warranty does not cover lost parts, malfunctions, or damage due to abuse, accidents, or normal wear. Failure to clean, lubricate, and provide reasonable and necessary maintenance will void the warranty. Repairs needed to your combo due to abnormal use or modification, or after warranty expiration, are available for a reasonable charge from Outdoor World Rod & Reel Repair, providing the reel or combo is returned postage paid.

Except to the extent prohibited by applicable law, there are no warranties or conditions, expressed or implied, other than those expressly set out herein. Bass Pro Shops and Cabela's shall not, under any circumstances, be liable for an amount greater than the actual purchase price of the product nor for any special, incidental, or consequential damages suffered or incurred in connection with the product and Bass Pro Shops and Cabela's does not assume, and does not authorize any person to assume for it, any obligation or liability other than those expressly set out herein.

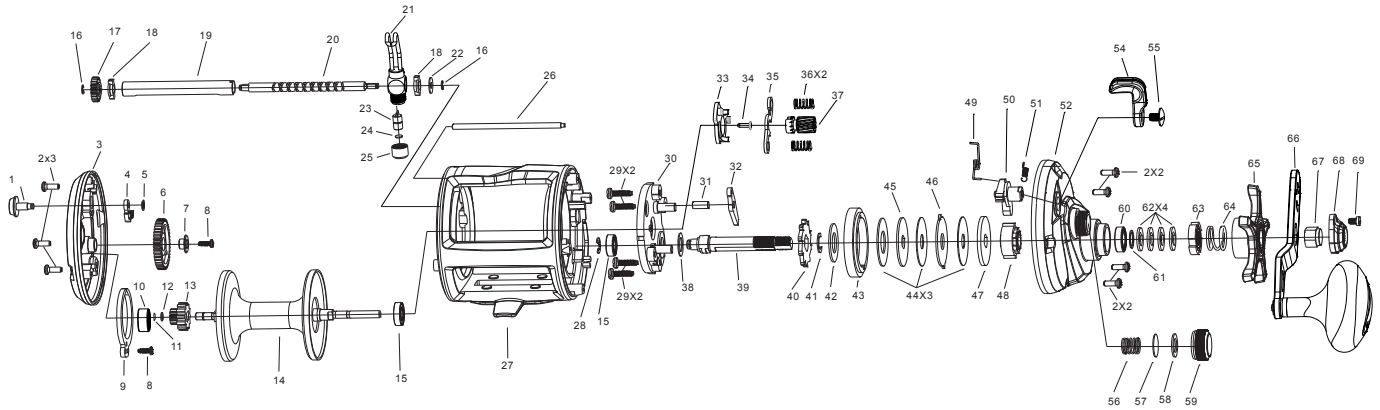
# GCP-10



## GOLD CUP LEVELWIND REEL: GCP-10

NO.	PARTNAME
1	CLICK KNOB
2	SCREW (3)
3	LEFT SIDEPLATE
4	CLICK PATCH
5	E-CLIP
6	GEAR
7	CLIP
8	SCREW (2)
9	SPRING CLIP
10	BALL BEARING
11	WASHER
12	C-CLIP
13	TRANSMISSION GEAR
14	SPOOL ASSY
15	BALL BEARING (2)
16	E-CLIP (2)
17	WORM SHAFT GEAR
18	BUSHING (2)
19	LEVELWIND GUARD
20	WORM SHAFT FOR LEVELWIND
21	LINE GUIDE RING
22	WASHER
23	LINE GUIDE PAWL
24	WASHER
25	LINE GUIDE SHAFT HOLDER NUT
26	LINE GUIDE SHAFT
27	FRAME
28	E-CLIP
29	SCREW (4)
30	PLATE
31	SCREW
32	PAWL
33	CLUTCH FLIP PLATE
34	SCREW
35	CLUTCH FLIP LEVER
36	CLUTCH COMPRESSING SPRING (2)
37	PINION GEAR
38	WASHER
39	GEAR SHAFT
40	RATCHET
41	C-CLIP
42	WASHER
43	MAIN GEAR
44	DRAG WASHER (3)
45	KEY WASHER
46	EAR WASHER
47	KEY WASHER
48	ONE-WAY CLUTCH ASSY
49	SPRING
50	ECCENTRIC CAM
51	SPRING
52	RIGHT SIDEPLATE
54	FLIP KNOB
55	SCREW
56	DRAG NUT SPRING
57	WASHER
58	WASHER
59	DRAG NUT
60	BALL BEARING
61	WASHER
62	SPRING WASHER (4)
63	NUT
64	SPRING
65	STAR DRAG
66	HANDLE ASSEMBLY
67	HANDLE NUT
68	LOCKING COVER
69	SCREW

## GCP-20 GCP-30



### GOLD CUP LEVELWIND REEL: GCP-20 AND GCP-30

#### NO. PARTNAME

1 CLICK KNOB	18 BUSHING (2)	35 CLUTCH FLIP LEVER	52 RIGHT SIDEPLATE
2 SCREW (3)	19 LEVELWIND GUARD	36 CLUTCH COMPRESSING SPRING (2)	54 FLIP KNOB
3 LEFT SIDEPLATE	20 WORM SHAFT FOR LEVELWIND	37 PINION GEAR	55 SCREW
4 CLICK PATCH	21 LINE GUIDE RING	38 WASHER	56 DRAG NUT SPRING
5 E-CLIP	22 WASHER	39 GEAR SHAFT	57 WASHER
6 GEAR	23 LINE GUIDE PAWL	40 RATCHET	58 WASHER
7 CLIP	24 WASHER	41 C-CLIP	59 DRAG NUT
8 SCREW (2)	25 LINE GUIDE SHAFT HOLDER NUT	42 WASHER	60 BALL BEARING
9 SPRING CLIP	26 LINE GUIDE SHAFT	43 MAIN GEAR	61 WASHER
10 BALL BEARING	27 FRAME	44 DRAG WASHER (3)	62 SPRING WASHER (4)
11 WASHER	28 E-CLIP	45 KEY WASHER	63 NUT
12 C-CLIP	29 SCREW (4)	46 EAR WASHER	64 SPRING
13 TRANSMISSION GEAR	30 PLATE	47 KEY WASHER	65 STAR DRAG
14 SPOOL ASSY	31 PAWL PIN	48 ONE-WAY CLUTCH ASSY	66 HANDLE ASSY
15 BALL BEARING (2)	32 PAWL	49 SPRING	67 HANDLE NUT
16 E-CLIP (2)	33 CLUTCH FLIP PLATE	50 ECCENTRIC CAM	68 LOCKING COVER
17 WORM SHAFT GEAR	34 RIVET	51 SPRING	69 SCREW